



# Electrical Transformers in **AT**mospheres with risk of **EX**plosion



A whole range of equipment suitable for ATEX environments and certified by an independent laboratory, in accordance with the ATEX European Directive 94/9/EC

## A certified design to match your specific requirements

Our ATEX electrical transformers are designed for **above-ground** industries where there is a **low probability** of explosive atmospheres **in the form of gases**.

The level of **protection** required is **normal** with respect to the normal operation of the equipment.

The explosive **gas** that may be present in the atmosphere is **propane, butane, methanol or industrial methane**.

The **surface temperature** of the equipment in **normal** operation is always **below** the auto-ignition point of the gases present in the area i.e. **200° C** for **T3**.

Our certified mark:



Our ATEX offer:

\* Transformers immersed in a dielectric liquid with **sealed tank**, natural cooling, power rating from **250 to 2000 kVA**

- Certification "**LCIE 05 ATEX 6029 X**"  
& Additional clause "**01**" -

\* Transformers immersed in a dielectric liquid with **expansion tank**, natural or forced cooling, power rating from **4/5 MVA to 16/20 MVA**

- Certification "**LCIE 05 ATEX 6122 X**" -

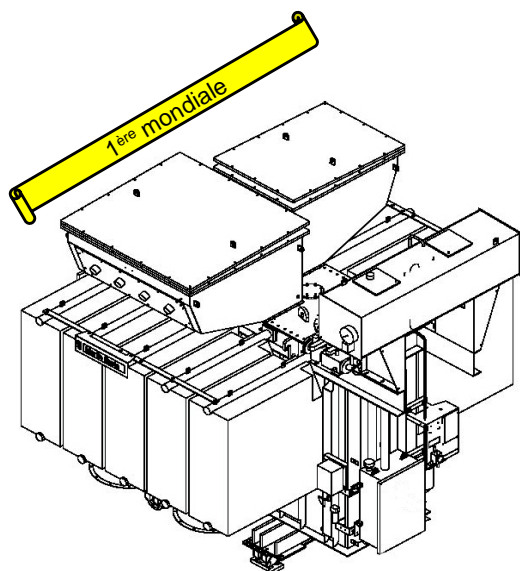
\* Transformers immersed in a dielectric liquid with **expansion tank and on-load voltage regulator**, natural or forced cooling, power rating from **4/5 to 16/20 MVA**.

- Certification "**LCIE 05 ATEX 6148 X**" -



# Our “ATEX” creations

## Top références!



- ✓ Three-phased transformer, « ONAN / ONAF » cooling type:
  - breathing type with conservator,
  - with **on-load tap changer (OLTC)**,
  - power: 16 000 kVA ONAN / 20 000 kVA ONAF,
  - voltages: 11 000 V / 31 970 V +/-10x1,5 %,
  - total weight: 28 900 kg

**Application: TOTAL E & P off-shore oil production platform in DR CONGO**



- ✓ Three-phased transformer, « ONAN / ONAF » cooling type:
  - breathing type with conservator,
  - with **off-voltage tappings switch**,
  - power: 16 000 kVA ONAN / 20 000 kVA ONAF,
  - voltages: 5 500 V / 30750 V (+/- 2x2,5 %),
  - total weight: 30 300 kg

**Application: TOTAL E&P off-shore oil production platform in DR CONGO**



- ✓ 3-phased inductance for earthing of neutral point, “ONAN” type:
  - Hermetically sealed, fully filled, with a liquid retention container built into the frame,
  - Primary voltage: 11,000 V , “YN” coupling,
  - Secondary voltage: 231 V , “d” coupling,
  - Homopolar impedance of 953 Ω
  - Rated current: - permanent : 5 A, - short-lasting: 20 A for 56 sec.
  - Total weight: 950 kg

**Application: TOTAL E&P off-shore oil production platform in ANGOLA**

**Operators, don't forget ...**

The “ATEX” European Directive n° EEC/99/92 of 1999 **oblige operators** to bring up to ATEX standards all equipment exposed to explosive atmospheres:

- from **1 July 2003** for **new** equipment and major renovations
- from **1 July 2006** for **existing** installations

france transfo

Postal address :  
 BP 10140  
 F - 57281 Maizières-lès-Metz Cedex  
 France  
 tel : +33 (0)3 87 70 57 57  
 fax : +33 (0)3 87 51 10 16  
 http://www.francetransfo.com

Due to the evolution of standards and materials, the present document will bind us only after confirmation from our technical department.

Conception : france transfo, Marketing

GEa 351 a

01/2006

RCS Metz B 357 801 109 - APE 311 B